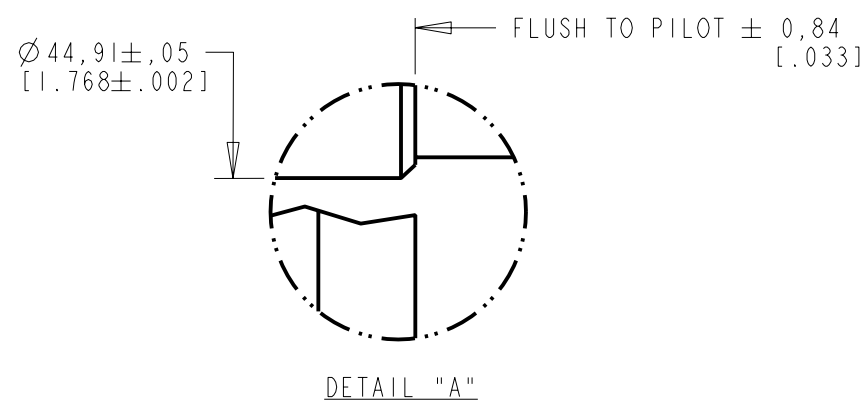


MODEL	L1	L2	L3
860	284,4 [11.20]	171,4 [6.75]	242,6 [9.55]
880	335,2 [13.20]	222,2 [8.75]	293,4 [11.55]

PIN-OUT	
PIN	FUNCTION
U	U
V	V
W	W
⊖	GND
+	-
-	-
1	-
2	-

PIN-OUT	
PIN	FUNCTION
1	SIN +
2	SIN -
3	COS +
4	COS -
5	DATA +
6	DATA -
7-8	-
9-10	-
11	EPWR 9V
12	ECOM
13	TS +
14	TS -
15-17	-



- NOTE:
- DXF OF THIS DRAWING MUST BE SCALED TO LENGTH ON CHART (860). MODEL SHOWN IS MPL-B880x-xJ74AA.
 - 3D STEP (.stp) FILES AVAILABLE AT ALL LENGTHS.
 - COVERS SINGLE AND MULTI-TURN ABSOLUTE ENCODER (i.e. MPL-B8xxx-MJ74AA and MPL-B8xxx-SJ74AA) B860's thru B880's.

REFERENCES		DESCRIPTION	CAD DOCUMENT	
VERSION	UNLESS OTHERWISE SPECIFIED	MPL-B8xx-x72AA, ESM, M40	Allen-Bradley 	
00	DO NOT SCALE DRAWING DIMENSIONS ARE IN MILLIMETERS WITH INCHES REFERENCED [X] UNTOLERANCED DIMENSIONS ARE REFERENCE 3RD ANGLE PROJECTION			
		DR. EQ	DATE 2-27-09	SHEET 1 OF 1
		DXF 2D OR STEP 3D FILE AVAILABLE		DWG. SIZE B
				DOCUMENT NUMBER 10000048758